

Firgelli Linear Actuator Accessories – DPDT Switch Kit

Use this kit to connect your –S type linear actuator to a voltage source and be able to control the direction manually. This switch will return to the middle or off position when released. Simply push the switch one direction to extend and the other direction to retract. The included fuse will protect the circuit from shorts and overloading. Not included in this kit, is the required power supply (6 or 12volts DC). You may also require more wire so you can position the switch the required distance from the actuator.

Contents:

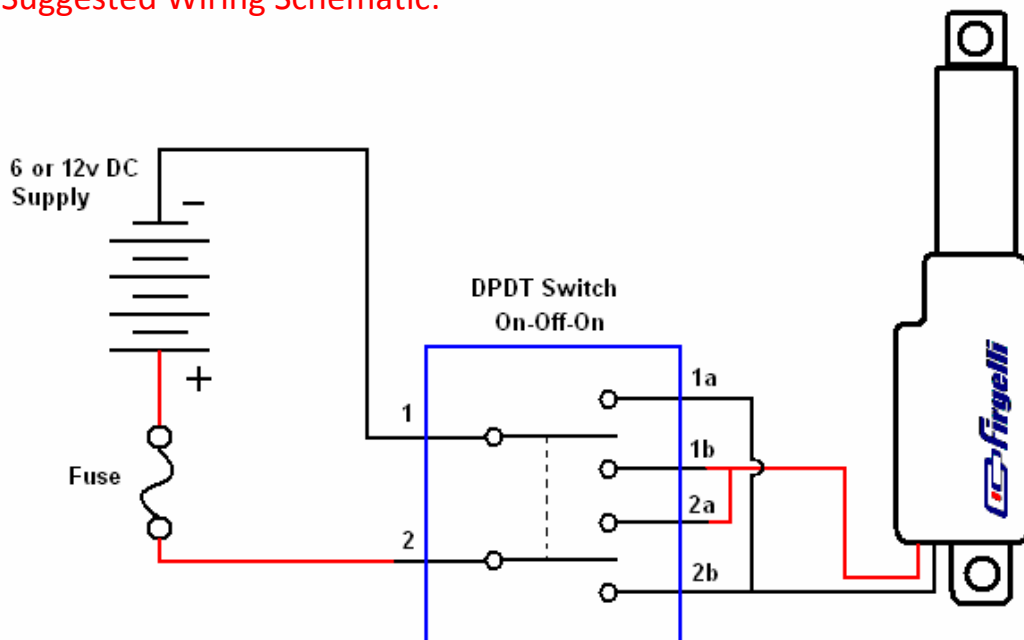
- 1 DPDT switch
- 6 crimp connectors
- 1 fuse
- 40cm of 2 conductor wire
- 4 pieces of heat-shrink



For Use With:

- PQ12 –S actuators
- L12 –S actuators
- L16 –S actuators

Suggested Wiring Schematic:



Notes:

- For more details on each component see: www.firgelli.com/pdf/accessories.pdf
- To connect a PQ12 actuator, use pins 2 & 3 on the PQ12 connector.



Firgelli Technologies Inc.

1550 Mileva Lane
Victoria, BC V8N 2V5
Canada

1 (206) 347-9684 phone
1 (888) 225-9198 toll-free
1 (206) 347-9684 fax

sales@firgelli.com
www.firgelli.com